



DAEMYOUNG INSTRUMENT TECHNOLOGY

G10 – G40

Diaphragm Gas meter

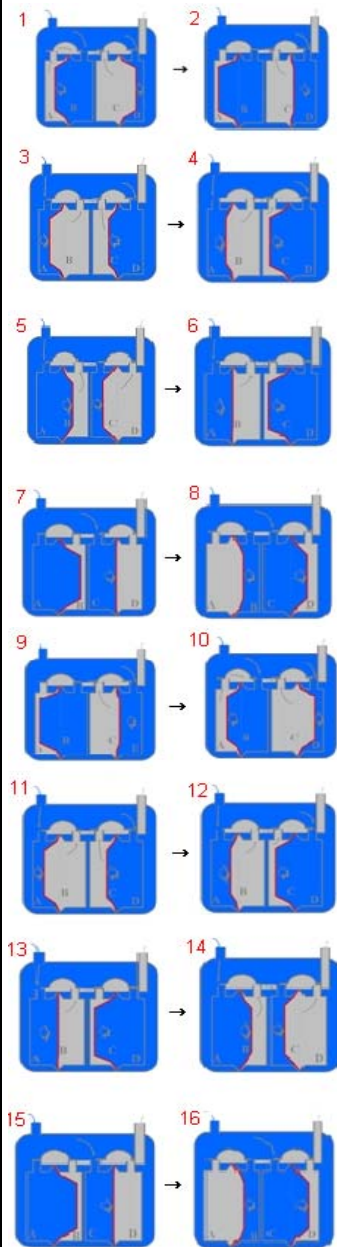


Diaphragm Gas meters have a long tradition. They are characterized by a long service life, a large measuring range, long term measurement stability, and maintenance-free operation.

The DMIT diaphragm gas meters offer all the advantages of a metering device without additional energy requirement.

Operating

1 → 16



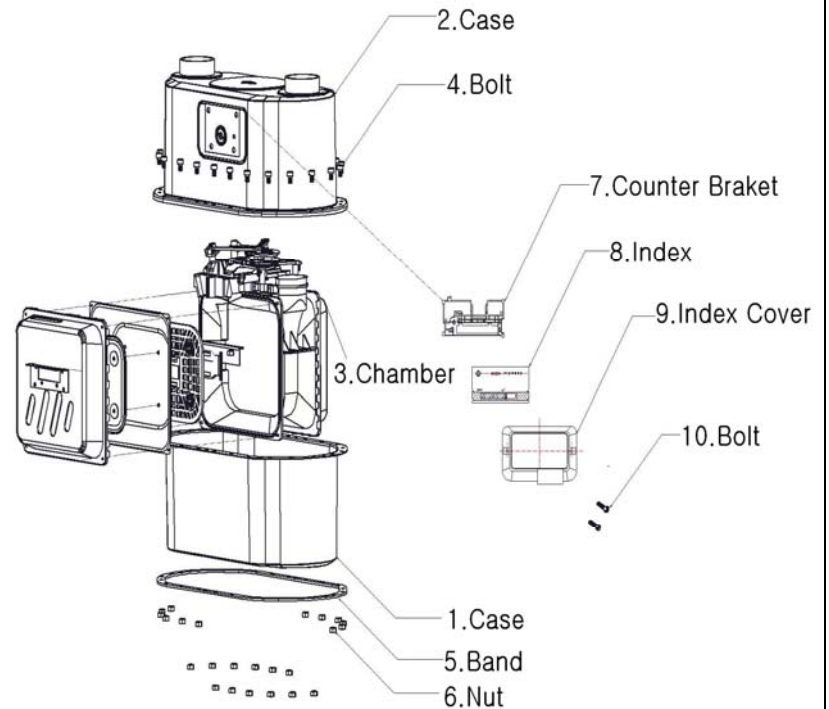
Required attention

- ✓ 1 Before the installation,
- ✓ 2 pls remove impurities in the pipe.
- ✓ 3 Check the tightness of the pipe.
- ✓ 4 Check the inlet and outlet and install the meters horizontally
- ✓ 5 Do not install near the fire-related products.
- ✓ 6 Do not make physical impact against the products.
- ✓ 7 Open the valve slowly (inlet) for 1 minute

Operating

✓ measuring chambers are separated by synthetic diaphragms. The chambers are filled, and emptied periodically as the chambers slide left and right, and the movement of the diaphragms is transferred via a gear to the crankshaft. This shaft moves the valves, which control the gas flow. The rotations of the gear are transferred via a magnetic coupling to the index.

Part List



Characteristics

	G10	G16	G25	G40
Nominal Diameter (DN)	40mm		50mm	80mm
Operating Pressure (Bar)	0.5 (1bar option)			
Cyclic Volume (dm ³)	6		12	18
Minimum Capacity (m ³ /h)	0.1	0.16	0.25	0.4
Maximum Capacity (m ³ /h)	16	25	40	100
T.D.R	1 : 160			
Error P Qmax - Qt	Within ± 1.5			
Error P Qt - Qmin	Within ± 3.0			
Using Gas	LPG, LPG, Inert Gas			
Body Material	Tinning and Aluminium Steel			
Pulser	Magnet for the pulse was installed inside.			
Approval	Korean Type Approval			

Material of parts used inside

- ✓ Diaphragm : NBR coated Material
- ✓ Measuring Unit Body : PBT(G)
- ✓ Case : Hot-DIP coated Aluminium steel ,KSD-3544 KS standard SA1E

Index

D G10 → **DAEMYOUNG I&T**
 V 6 dm MPI NO. 510211322
 Pmax: 20psig H-07-68
 Qmax 530 ACFH
 1 imp Δ 0.1 m³ Qmin 3.5 ACFH
 Tm -20 ~ +140 °F
 DMIT 2010 m³

- : Flow direction
- MPI : Korean Type Approval - H-07-68 number
- ⊙ : Company logo

m³ : Unit for reading
NO. 510211322
 :Serial Number

00000000, 00
 :8 digits- counter

Certificate

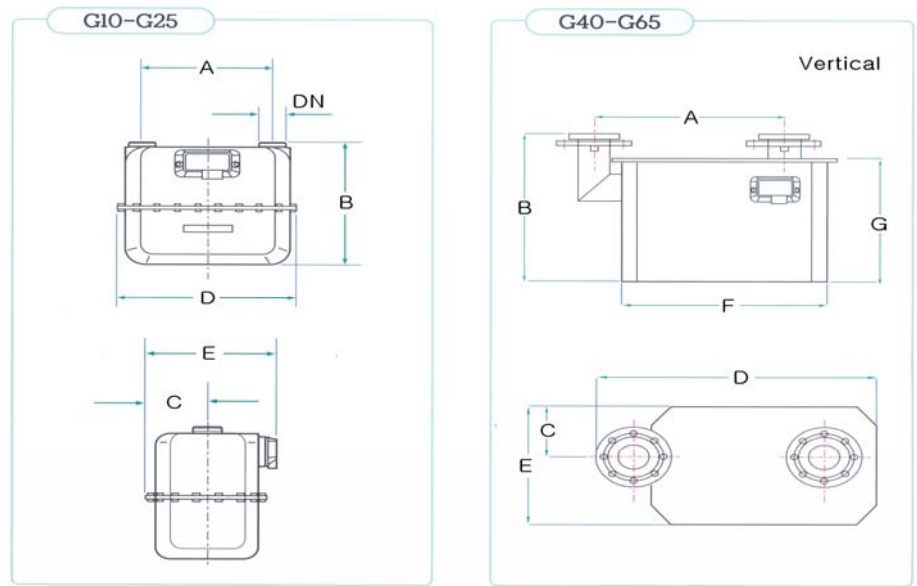
- ✓ ISO9001 : 2009



- ✓ Korean Type approval



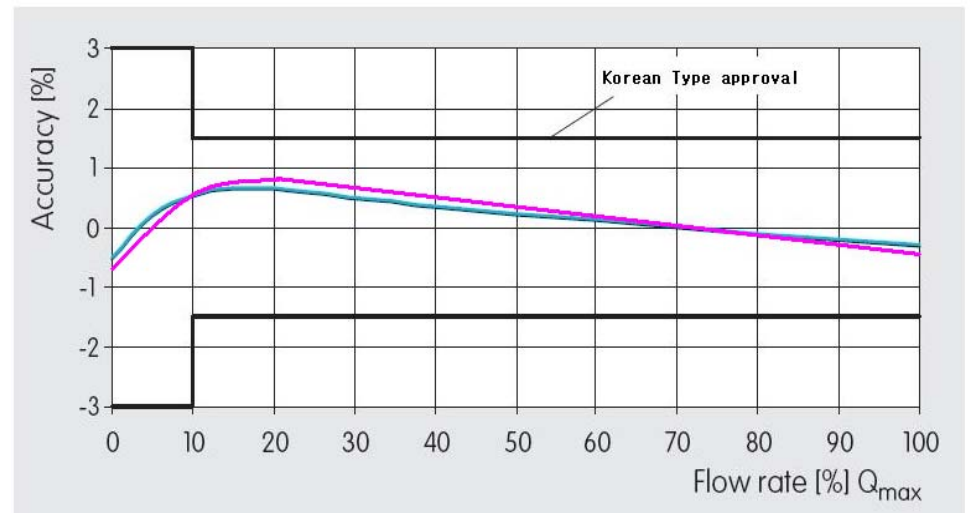
Dimension



Indication	unit	G10	G16	G25	G40
A	mm	280	280	335	510
B	mm	333	333	398	495
C	mm	119	119	143	172
D	mm	415	415	475	753
E	mm	239	239	294	400
F	mm	-	-	-	551
G	mm	-	-	-	415
Weight	Kg	6.7(7.7)	6.7(7.7)	11(12.5)	50

- ✓ Weight 0.5 bar (1bar)

Accuracy Curve



- ✓ G10~G25 Blue / G40~G65 Pink

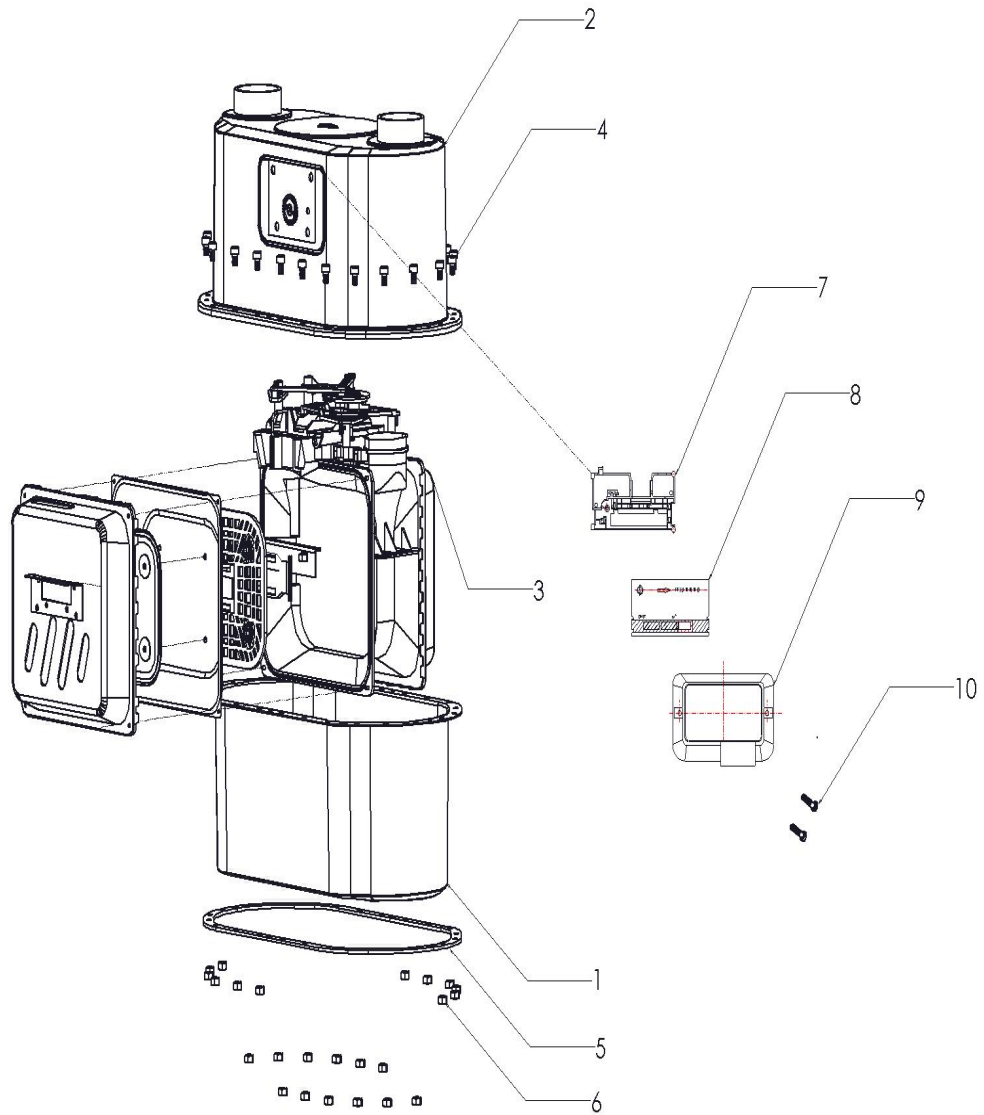


DAEMYOUNG I&T

Factory : Suchonri 532-1, Janganmyon Hwasungsi
Kyounggido Zip code : 445-994
Tel:82-31-358-0811 Fax:82-31-358-0095

Head office : Daelung Techno Town 6-607 Gasandong 493-6
Geomchengu, Seoul, Korea Zip code:153-774
Tel:82-2-2108-5590~3 Fax:82-2-2108-5594
E-mail: dmitkor@empal.com
Web: www.dmit.kr

Part List



G10/16

- 1. Case (1)
- 2. Case (2)
- 3. Chamber
- 4. Bolt
- 5. Band
- 6. Nut
- 7. Counter Bracket
- 8. Index
- 9. Index Cover

10. Bolt